



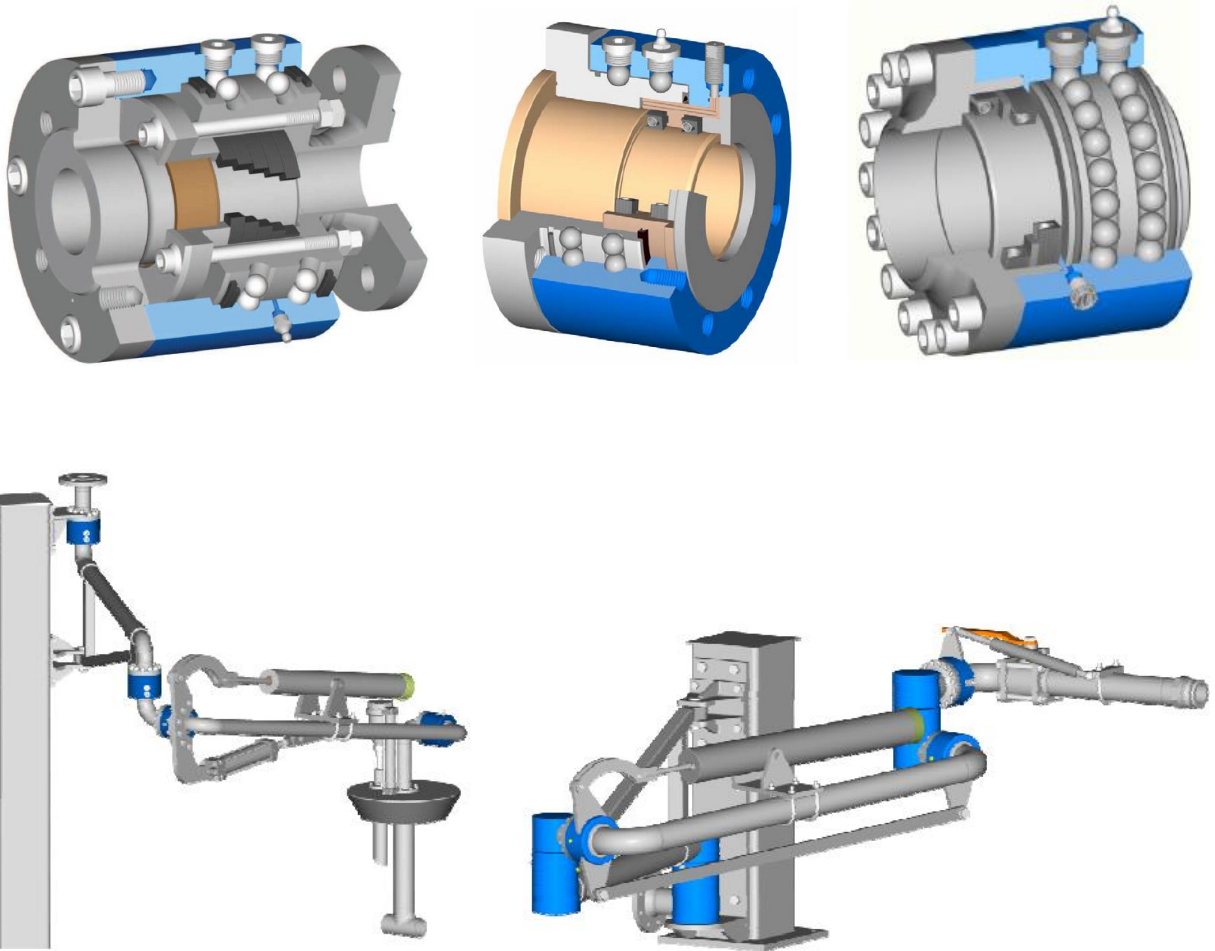
Information about our product range

**Rotary Joints / Plane Swivel / Ball Joints / Steam Joints
Stationary and Rotary Siphons / Spoiler Bars (Turbulence Bars)**

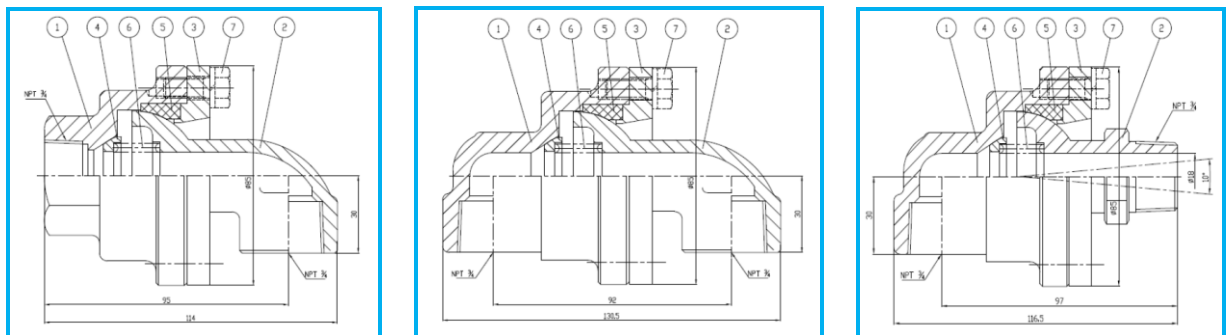




Plane Swivel / Loading Arms



Ball Joints





Multichannel Rotary Joints / Slip Rings



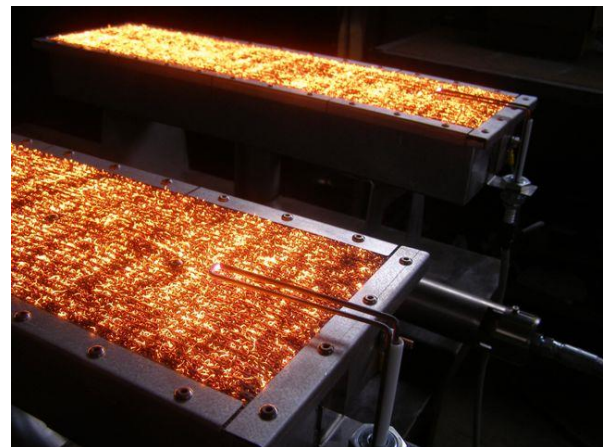
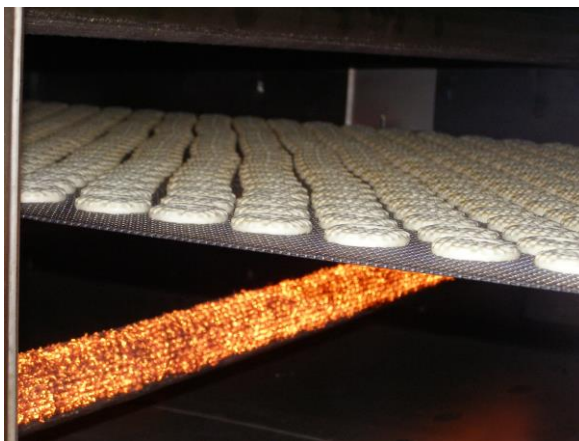
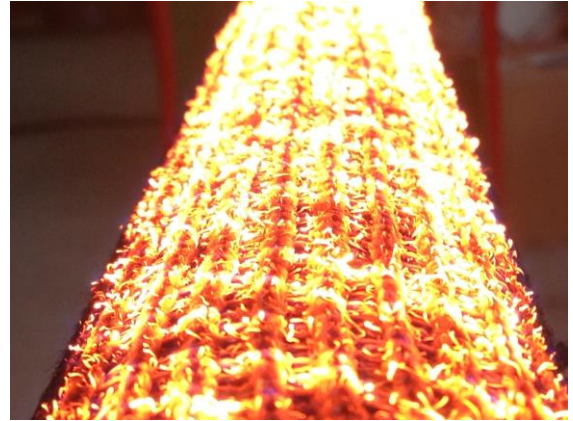
ROTARY
SYSTEMS INC





**INGRID WERNICKE
INDUSTRIESERVICE e.K.**

Gas-Infrared



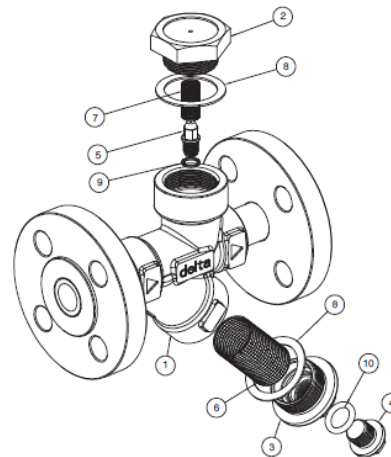
INGRID WERNICKE INDUSTRIESERVICE e. K.
St. Ingberter Strasse 2a
D-51375 Leverkusen

Telefon: +49 (0) 214 – 500 67 32
Telefax: +49 (0) 214 – 312 88 31

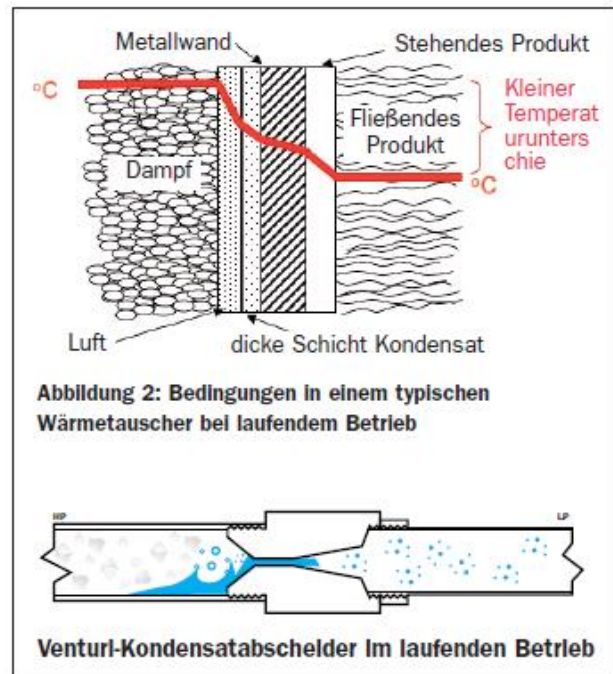
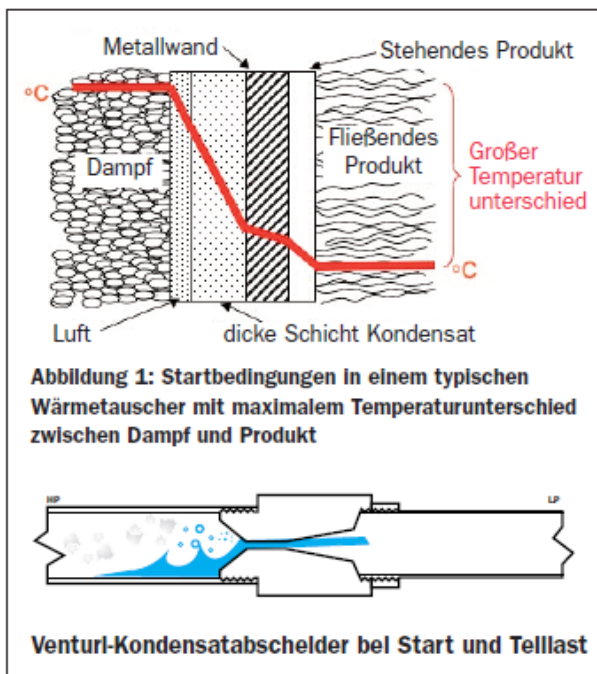
Internet: www.wis-industries.de
Mailto: info@wis-industries.de



Venturi Steam Trap



How the Venturi Orifice trap works continued



Rütgers Chemicals reduce steam consumption by 20% and lower CO2 output by over 300 tonnes per year